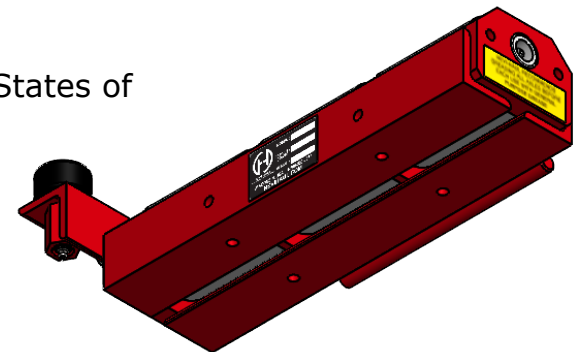
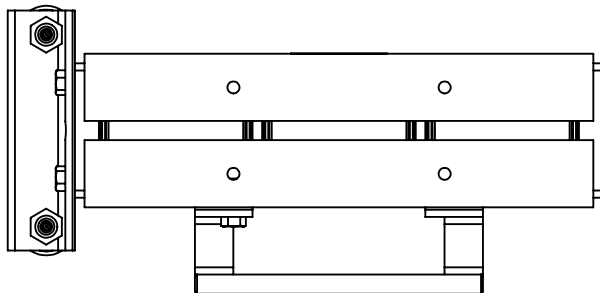


Capacity: 9 Tons Each
Roller Material: Steel
Weight: 30 lbs.
Colorway: Hevi-Haul Red
Country of Origin: United States of America



**PLEASE CONTACT US BY PHONE OR
 EMAIL IF YOU WOULD LIKE US TO
 MODIFY THIS DESIGN. DRAWING IS
 SHOWN WITHOUT WELDS.**



PROPRIETARY AND CONFIDENTIAL, THE INFORMATION CONTAINED IN THIS DRAWING IS THE SOLE PROPERTY OF HEVI-HAUL. ANY REPRODUCTION IN PART OR AS A WHOLE WITHOUT THE WRITTEN PERMISSION OF HEVI-HAUL IS PROHIBITED.

| | | | | | | |
|--------------------------|-----------|------------------------|----------|----------------------------|--|------|
| DIMENSIONS ARE IN INCHES | | THIRD ANGLE PROJECTION | | DESCRIPTION: | | REV: |
| | | | | SPECIFICATION SHEET | | - |
| SCALE: | DRAWN BY: | DATE: | DWG NO: | SHEET: | | |
| NTS | DMK | 3/25/2025 | BR-3 CAM | 1 OF 1 | | |