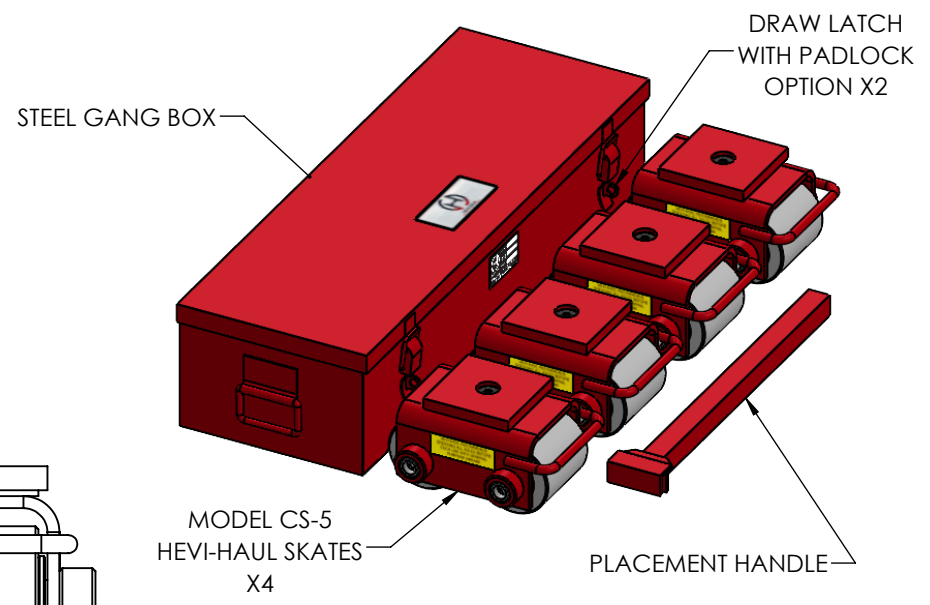


KIT CONTENTS



Capacity: 10 Ton Kit, 2.5 Ton Per Skate
Roller Material: Steel
Weight: 127 lbs.
Colorway: Hevi-Haul Red
Country of Origin: United States of America

PLEASE CONTACT US BY PHONE OR EMAIL IF YOU WOULD LIKE US TO MODIFY THIS DESIGN. DRAWING IS SHOWN WITHOUT WELDS.

PROPRIETARY AND CONFIDENTIAL, THE INFORMATION CONTAINED IN THIS DRAWING IS THE SOLE PROPERTY OF HEVI-HAUL. ANY REPRODUCTION IN PART OR AS A WHOLE WITHOUT THE WRITTEN PERMISSION OF HEVI-HAUL IS PROHIBITED.

DIMENSIONS ARE IN INCHES		THIRD ANGLE PROJECTION		DESCRIPTION:		REV:
				SPECIFICATION SHEET		-
SCALE:	DRAWN BY:	DATE:	DWG NO:	SHEET:		
NTS	DMK	3/25/2025	CS-20K	1 OF 1		