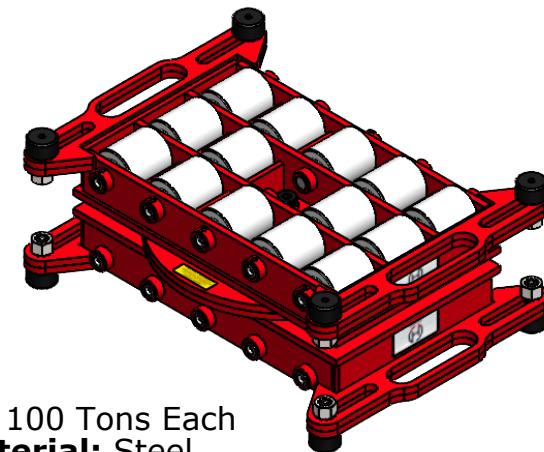
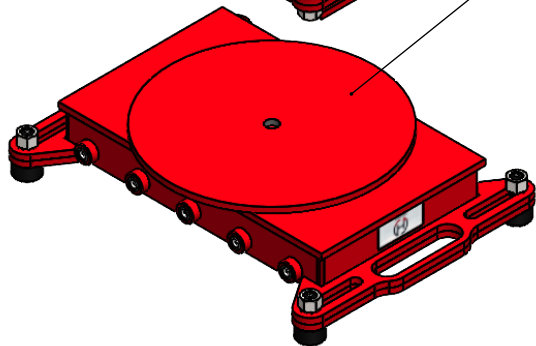
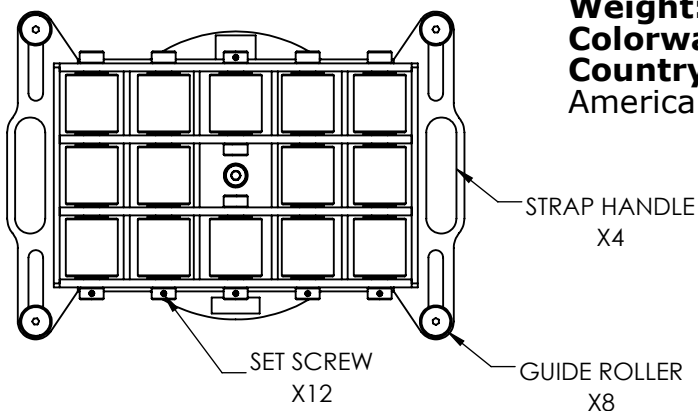


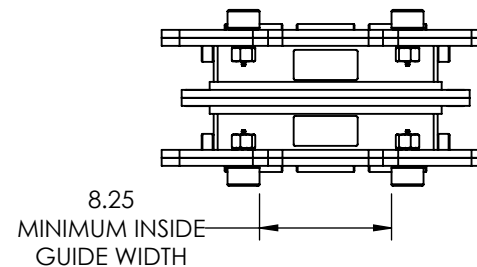
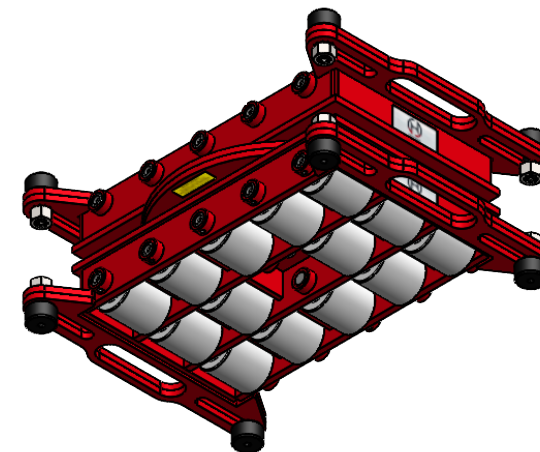
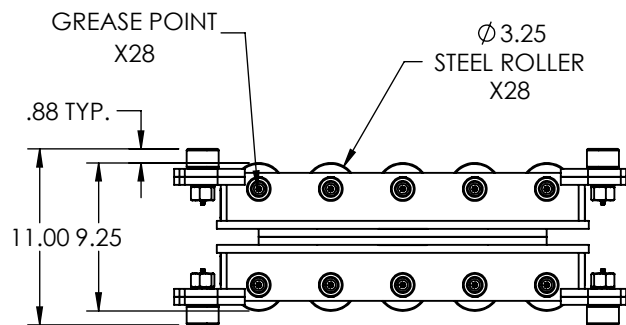
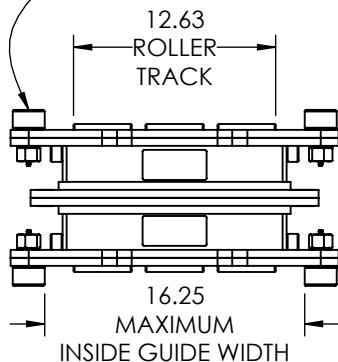
HM-100 TOP AND BOTTOM ASSEMBLIES CAN BE SEPERATED WITH A HEX KEY OR IMPACT WRENCH AND USED AS INDIVIDUAL SKATES WITH LINEAR MOVEMENT AND 1000 TONS OF CAPACITY PER HALF



Capacity: 100 Tons Each
Roller Material: Steel
Weight: 590 lbs.
Colorway: Hevi-Haul Red
Country of Origin: United States of America



ADJUSTABLE WIDTH GUIDE ROLLER SYSTEM



PLEASE CONTACT US BY PHONE OR EMAIL IF YOU WOULD LIKE US TO MODIFY THIS DESIGN. DRAWING IS SHOWN WITHOUT WELDS.

HEVI-HAUL
 PRODUCTS THAT MOVE THE WORLD
 PO Box 580 Menomonee Falls, WI 53052
 Phone (262) 502-0333 | hevihaul.com

PROPRIETARY AND CONFIDENTIAL, THE INFORMATION CONTAINED IN THIS DRAWING IS THE SOLE PROPERTY OF HEVI-HAUL. ANY REPRODUCTION IN PART OR AS A WHOLE WITHOUT THE WRITTEN PERMISSION OF HEVI-HAUL IS PROHIBITED.

DIMENSIONS ARE IN INCHES		THIRD ANGLE PROJECTION		DESCRIPTION:		REV:
				SPECIFICATION SHEET		-
SCALE:	DRAWN BY:	DATE:	DWG NO:	SHEET:		
NTS	DMK	3/25/2025	HM-100	1 OF 1		