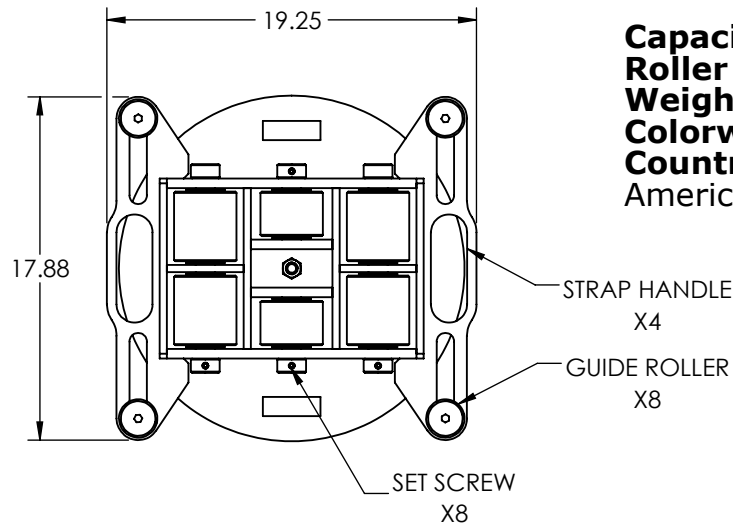
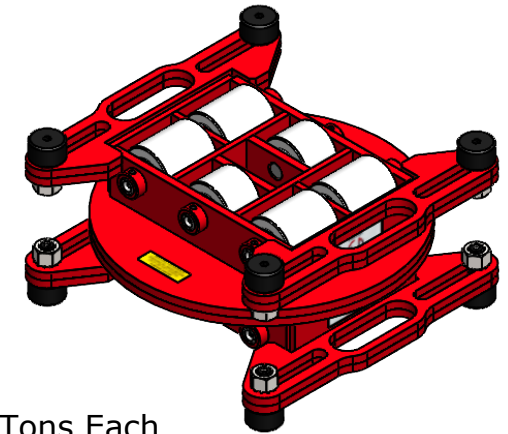
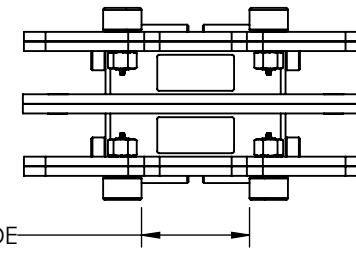
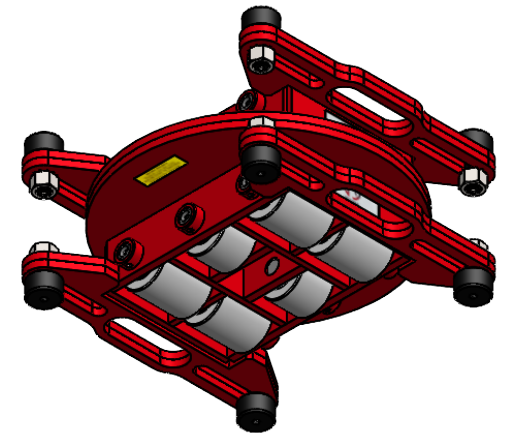
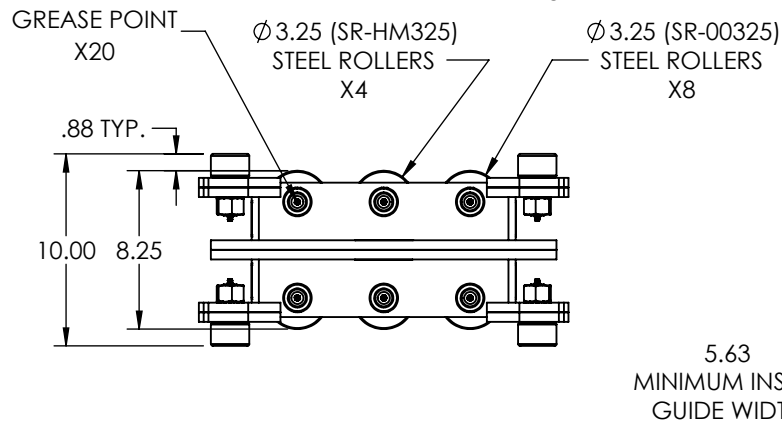
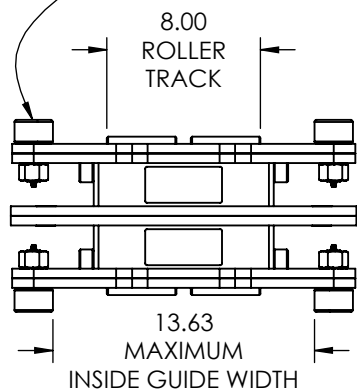


HM-25 TOP AND BOTTOM ASSEMBLIES CAN BE SEPERATED WITH A HEX KEY OR IMPACT WRENCH AND USED AS INDIVIDUAL SKATES WITH LINEAR MOVEMENT AND 25 TONS OF CAPACITY PER HALF



**Capacity:** 25 Tons Each  
**Roller Material:** Steel  
**Weight:** 278 lbs.  
**Colorway:** Hevi-Haul Red  
**Country of Origin:** United States of America

ADJUSTABLE WIDTH GUIDE ROLLER SYSTEM



**PLEASE CONTACT US BY PHONE OR EMAIL IF YOU WOULD LIKE US TO MODIFY THIS DESIGN. DRAWING IS SHOWN WITHOUT WELDS.**



**HEVI-HAUL**  
 PRODUCTS THAT MOVE THE WORLD  
 PO Box 580 Menomonee Falls, WI 53052  
 Phone (262) 502-0333 | hevihaul.com

PROPRIETARY AND CONFIDENTIAL, THE INFORMATION CONTAINED IN THIS DRAWING IS THE SOLE PROPERTY OF HEVI-HAUL. ANY REPRODUCTION IN PART OR AS A WHOLE WITHOUT THE WRITTEN PERMISSION OF HEVI-HAUL IS PROHIBITED.

DIMENSIONS ARE IN INCHES		THIRD ANGLE PROJECTION		DESCRIPTION:		REV:
				<b>SPECIFICATION SHEET</b>		-
SCALE:	DRAWN BY:	DATE:	DWG NO:	SHEET:		
NTS	DBK	3/25/2025	HM-25	1 OF 1		