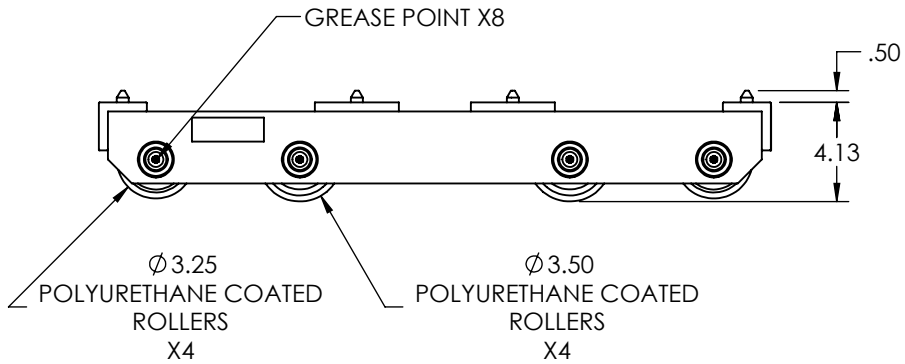
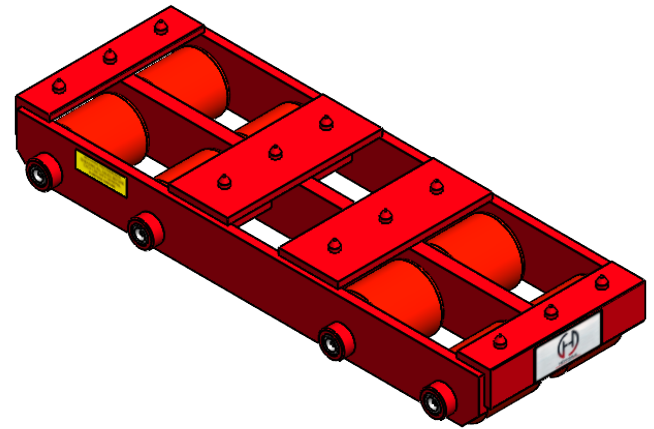


STEEL CLEATS
FOR EMBEDDING
INTO SUBSTRATE X12
(CLEATS ARE SPOT
LOCATED)

STEEL FRAME
(SHOWN WITHOUT
WELDS)

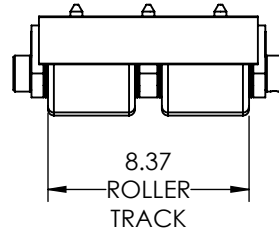


GREASE POINT X8

.50
4.13

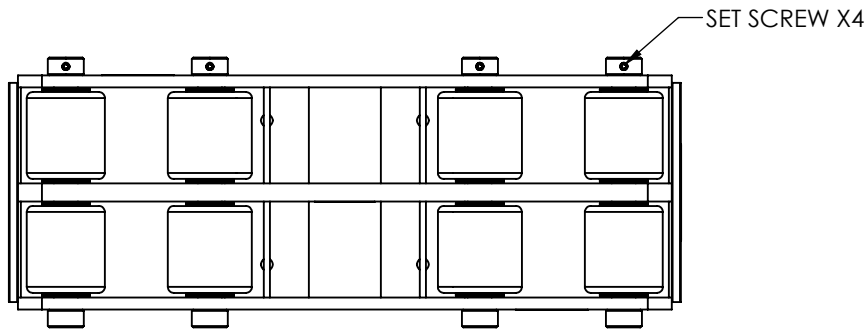
Ø 3.25
POLYURETHANE COATED
ROLLERS
X4

Ø 3.50
POLYURETHANE COATED
ROLLERS
X4

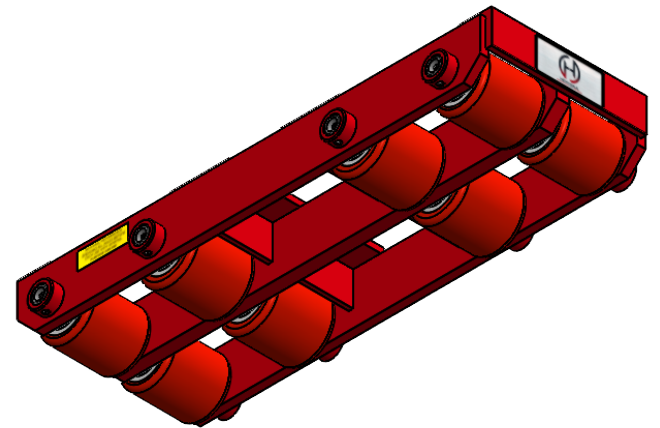


8.37
ROLLER
TRACK

Capacity: 20 Tons Each
Roller Material: Polyurethane Coated
Weight: 111 lbs.
Colorway: Hevi-Haul Red
Country of Origin: United States of
America



SET SCREW X4



**PLEASE CONTACT US BY PHONE OR
EMAIL IF YOU WOULD LIKE US TO
MODIFY THIS DESIGN. DRAWING IS
SHOWN WITHOUT WELDS.**



HEVI-HAUL
PRODUCTS THAT MOVE THE WORLD

PO Box 580 Menomonee Falls, WI 53052
Phone (262) 502-0333 | hevihaul.com

PROPRIETARY AND CONFIDENTIAL, THE INFORMATION CONTAINED IN THIS DRAWING IS
THE SOLE PROPERTY OF HEVI-HAUL. ANY REPRODUCTION IN PART OR AS A WHOLE
WITHOUT THE WRITTEN PERMISSION OF HEVI-HAUL IS PROHIBITED.

DIMENSIONS ARE IN INCHES THIRD ANGLE PROJECTION		DESCRIPTION: SPECIFICATION SHEET				REV: -
SCALE: NTS	DRAWN BY: DMK	DATE: 3/19/2025	DWG NO: SD-50-P	SHEET: 1 OF 1		