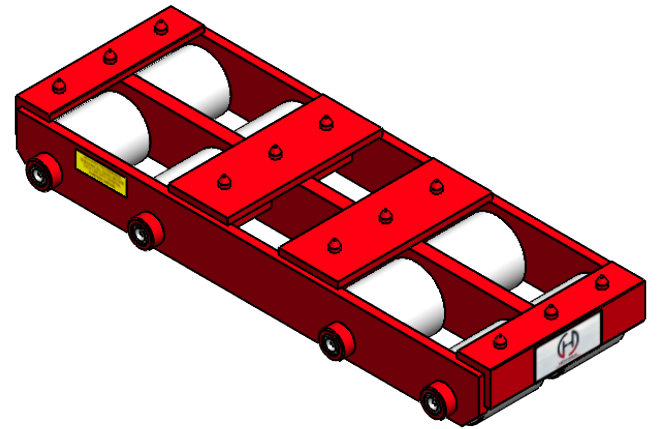
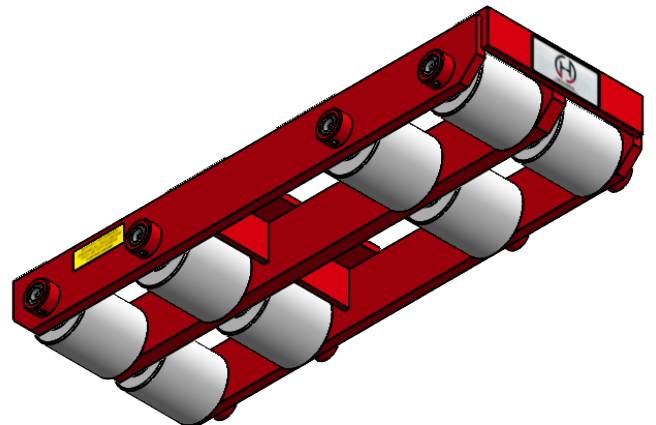
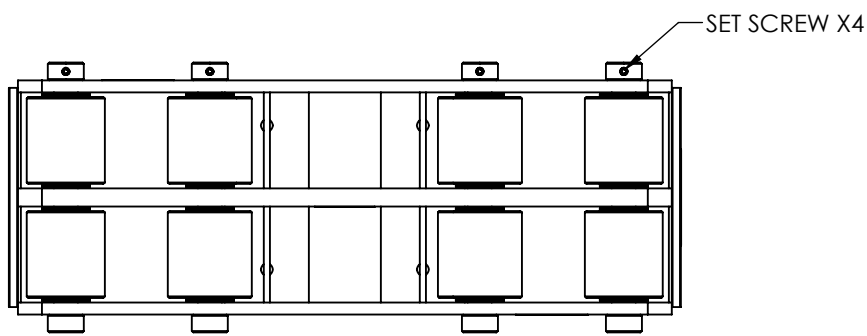
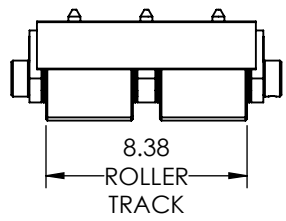
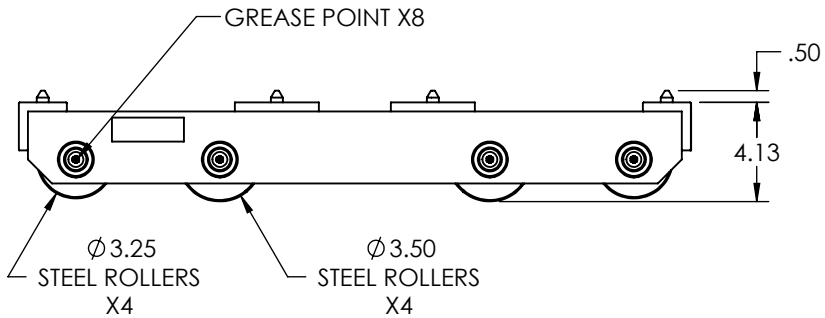


STEEL CLEATS  
FOR EMBEDDING  
INTO SUBSTRATE X12  
(CLEATS ARE SPOT  
LOCATED)

STEEL FRAME  
(SHOWN WITHOUT  
WELDS)



**Capacity: 25 Tons Each**  
**Roller Material: Steel**  
**Weight: 140 lbs.**  
**Colorway: Hevi-Haul Red**  
**Country of Origin: United States of America**



**PLEASE CONTACT US BY PHONE OR  
 EMAIL IF YOU WOULD LIKE US TO  
 MODIFY THIS DESIGN. DRAWING IS  
 SHOWN WITHOUT WELDS.**

**HEVI-HAUL**  
 PRODUCTS THAT MOVE THE WORLD  
 PO Box 580 Menomonee Falls, WI 53052  
 Phone (262) 502-0333 | hevihaul.com

PROPRIETARY AND CONFIDENTIAL, THE INFORMATION CONTAINED IN THIS DRAWING IS THE SOLE PROPERTY OF HEVI-HAUL. ANY REPRODUCTION IN PART OR AS A WHOLE WITHOUT THE WRITTEN PERMISSION OF HEVI-HAUL IS PROHIBITED.

DIMENSIONS ARE IN INCHES		THIRD ANGLE PROJECTION		DESCRIPTION: <b>SPECIFICATION SHEET</b>			REV: -
SCALE: NTS	DRAWN BY: DMK	DATE: 3/19/2025	DWG NO: SD-50	SHEET:		1 OF 1	