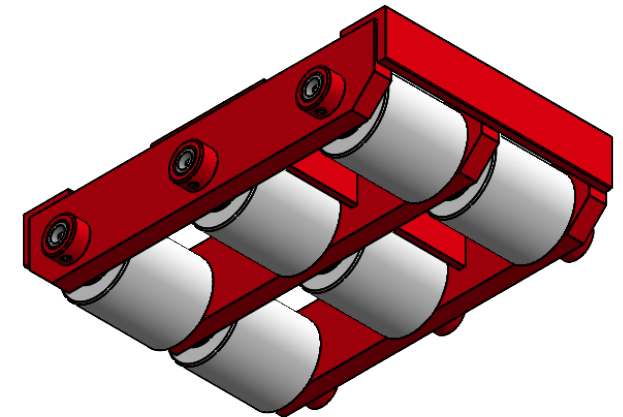
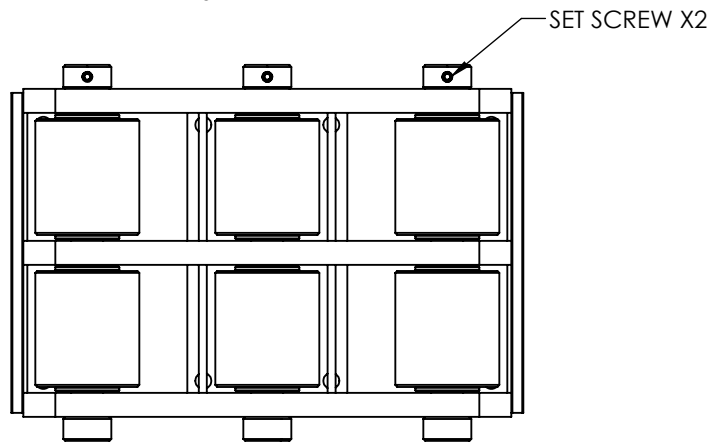


Capacity: 30 Tons Each
Roller Material: Steel
Weight: 104 lbs.
Colorway: Hevi-Haul Red
Country of Origin: United States of America



PLEASE CONTACT US BY PHONE OR EMAIL IF YOU WOULD LIKE US TO MODIFY THIS DESIGN. DRAWING IS SHOWN WITHOUT WELDS.

HEVI-HAUL
 PRODUCTS THAT MOVE THE WORLD
 PO Box 580 Menomonee Falls, WI 53052
 Phone (262) 502-0333 | hevihaul.com

PROPRIETARY AND CONFIDENTIAL, THE INFORMATION CONTAINED IN THIS DRAWING IS THE SOLE PROPERTY OF HEVI-HAUL. ANY REPRODUCTION IN PART OR AS A WHOLE WITHOUT THE WRITTEN PERMISSION OF HEVI-HAUL IS PROHIBITED.

DIMENSIONS ARE IN INCHES		THIRD ANGLE PROJECTION		DESCRIPTION: SPECIFICATION SHEET			REV: -
SCALE: NTS	DRAWN BY: DBK	DATE: 3/19/2025	DWG NO: ST-1060	SHEET:		1 OF 1	