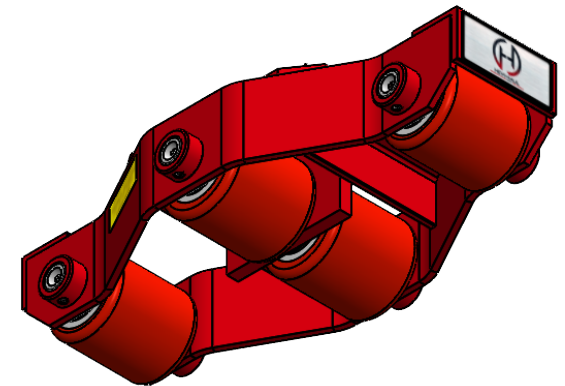


Capacity: 4 Tons Each
Roller Material: Polyurethane Coated
Weight: 41 lbs.
Colorway: Hevi-Haul Red
Country of Origin: United States of America



PLEASE CONTACT US BY PHONE OR EMAIL IF YOU WOULD LIKE US TO MODIFY THIS DESIGN. DRAWING IS SHOWN WITHOUT WELDS.



HEVI-HAUL
 PRODUCTS THAT MOVE THE WORLD
 PO Box 580 Menomonee Falls, WI 53052
 Phone (262) 502-0333 | hevihaul.com

PROPRIETARY AND CONFIDENTIAL, THE INFORMATION CONTAINED IN THIS DRAWING IS THE SOLE PROPERTY OF HEVI-HAUL. ANY REPRODUCTION IN PART OR AS A WHOLE WITHOUT THE WRITTEN PERMISSION OF HEVI-HAUL IS PROHIBITED.

DIMENSIONS ARE IN INCHES		DESCRIPTION:			REV:
THIRD ANGLE PROJECTION		SPECIFICATION SHEET			-
SCALE:	DRAWN BY:	DATE:	DWG NO:	SHEET:	
NTS	DMK	3/19/2025	UM-8-P	1 OF 1	