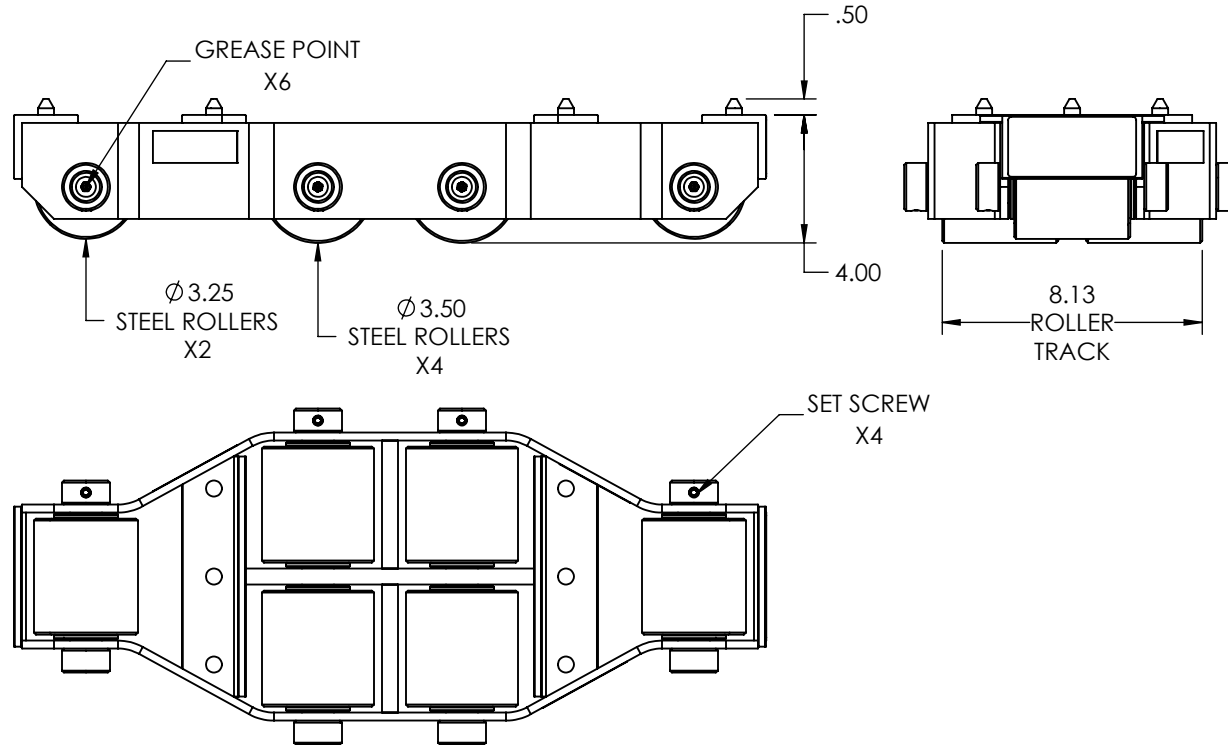
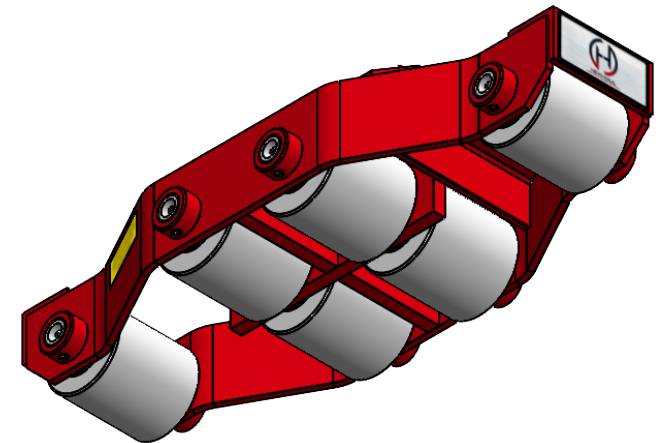


Capacity: 7.5 Tons Each
Roller Material: Steel
Weight: 81 lbs.
Colorway: Hevi-Haul Red
Country of Origin: United States of America



**PLEASE CONTACT US BY PHONE OR
 EMAIL IF YOU WOULD LIKE US TO
 MODIFY THIS DESIGN. DRAWING IS
 SHOWN WITHOUT WELDS.**



PROPRIETARY AND CONFIDENTIAL, THE INFORMATION CONTAINED IN THIS DRAWING IS THE SOLE PROPERTY OF HEVI-HAUL. ANY REPRODUCTION IN PART OR AS A WHOLE WITHOUT THE WRITTEN PERMISSION OF HEVI-HAUL IS PROHIBITED.

DIMENSIONS ARE IN INCHES		DESCRIPTION:			REV:
THIRD ANGLE PROJECTION		SPECIFICATION SHEET			-
SCALE: NTS	DRAWN BY: DMK	DATE: 3/19/2025	DWG NO: UM-HD-15	SHEET: 1 OF 1	