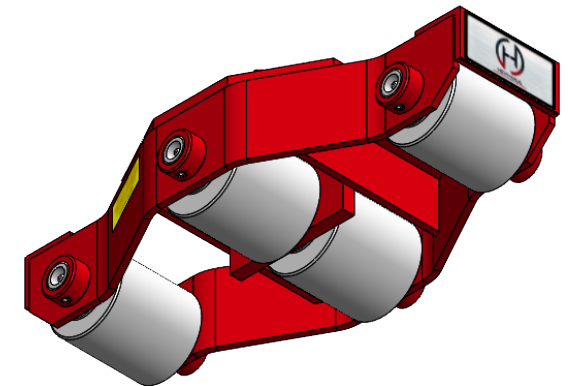
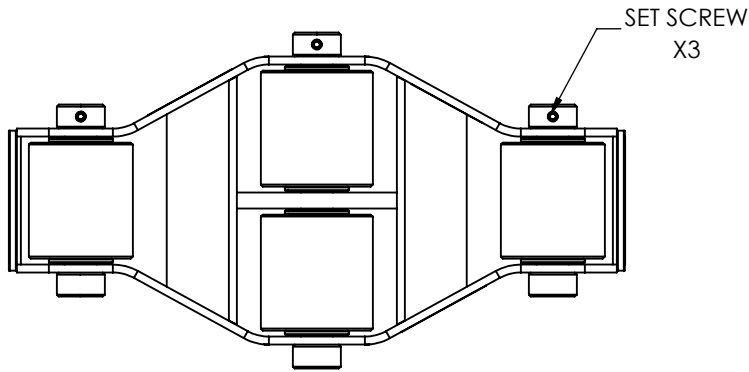


Capacity: 4 Tons Each
Roller Material: Steel
Weight: 66 lbs.
Colorway: Hevi-Haul Red
Country of Origin: United States of America



PLEASE CONTACT US BY PHONE OR EMAIL IF YOU WOULD LIKE US TO MODIFY THIS DESIGN. DRAWING IS SHOWN WITHOUT WELDS.

HEVI-HAUL
 PRODUCTS THAT MOVE THE WORLD
 PO Box 580 Menomonee Falls, WI 53052
 Phone (262) 502-0333 | hevihaul.com

PROPRIETARY AND CONFIDENTIAL, THE INFORMATION CONTAINED IN THIS DRAWING IS THE SOLE PROPERTY OF HEVI-HAUL. ANY REPRODUCTION IN PART OR AS A WHOLE WITHOUT THE WRITTEN PERMISSION OF HEVI-HAUL IS PROHIBITED.

| | | | | | |
|--------------------------|---------------|----------------------------|---------------|---------------|------|
| DIMENSIONS ARE IN INCHES | | DESCRIPTION: | | | REV: |
| THIRD ANGLE PROJECTION | | SPECIFICATION SHEET | | | - |
| SCALE: NTS | DRAWN BY: DMK | DATE: 3/25/2025 | DWG NO: UMS-8 | SHEET: 1 OF 1 | |