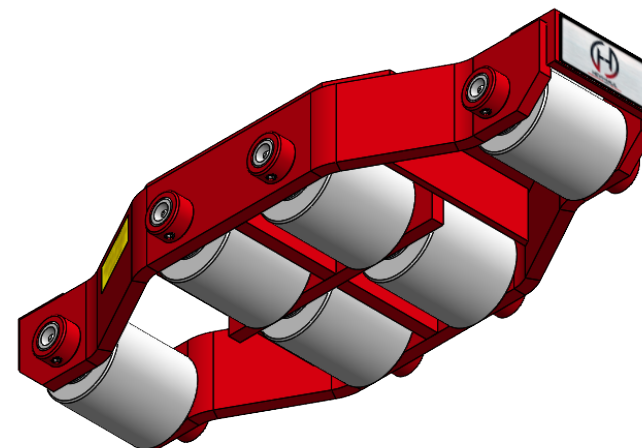
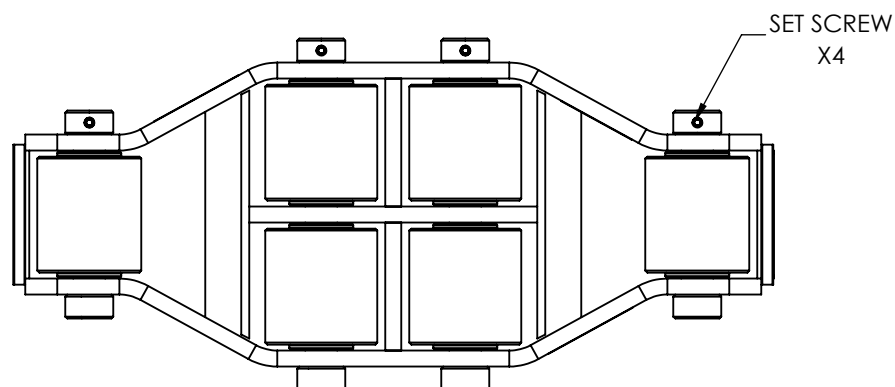


Capacity: 25 Tons Each
Roller Material: Steel
Weight: 112 lbs.
Colorway: Hevi-Haul Red
Country of Origin: United States of America



**PLEASE CONTACT US BY PHONE OR
 EMAIL IF YOU WOULD LIKE US TO
 MODIFY THIS DESIGN. DRAWING IS
 SHOWN WITHOUT WELDS.**

HEVI-HAUL
 PRODUCTS THAT MOVE THE WORLD

PO Box 580 Menomonee Falls, WI 53052
 Phone (262) 502-0333 | hevihaul.com

PROPRIETARY AND CONFIDENTIAL, THE INFORMATION CONTAINED IN THIS DRAWING IS THE SOLE PROPERTY OF HEVI-HAUL. ANY REPRODUCTION IN PART OR AS A WHOLE WITHOUT THE WRITTEN PERMISSION OF HEVI-HAUL IS PROHIBITED.

DIMENSIONS ARE IN INCHES		THIRD ANGLE PROJECTION		DESCRIPTION: SPECIFICATION SHEET			REV: -
SCALE: NTS	DRAWN BY: DMK	DATE: 3/25/2025	DWG NO: UMS-HD-50	SHEET:		1 OF 1	