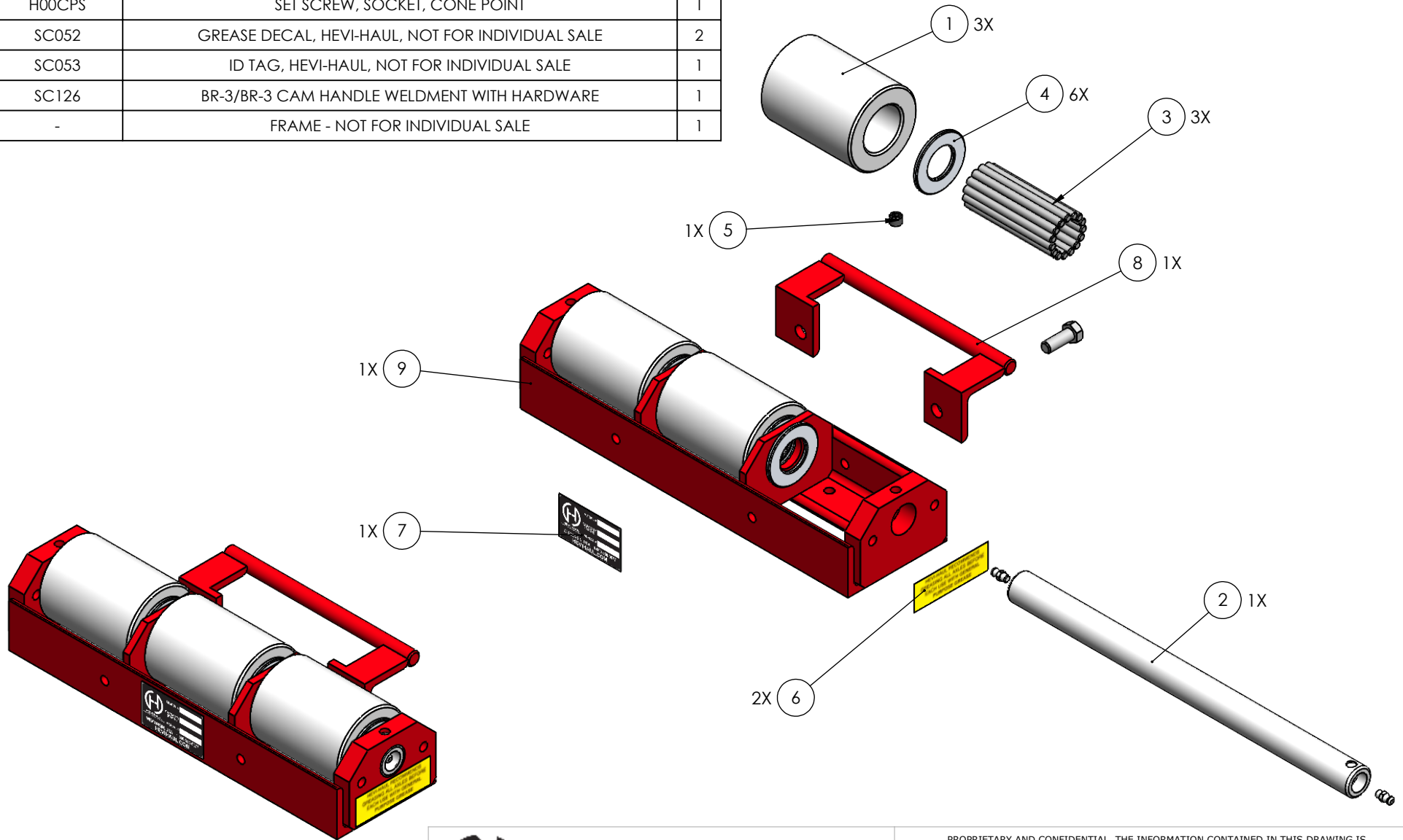


Item	Part Number	Description	Qty
1	SR00275	Ø2.75" STEEL ROLLER (BEARINGS NOT INCLUDED)	3
2	SA01356	13.56" L X Ø1.00 STANDARD AXLE ASSEMBLY	1
3	H00SBS	BEARING SET, HARDENED 15 NEEDLE BEARINGS	3
4	H000SW	THRUST WASHER, Ø1" ID	6
5	H00CPS	SET SCREW, SOCKET, CONE POINT	1
6	SC052	GREASE DECAL, HEVI-HAUL, NOT FOR INDIVIDUAL SALE	2
7	SC053	ID TAG, HEVI-HAUL, NOT FOR INDIVIDUAL SALE	1
8	SC126	BR-3/BR-3 CAM HANDLE WELDMENT WITH HARDWARE	1
9	-	FRAME - NOT FOR INDIVIDUAL SALE	1




HEVI-HAUL
PRODUCTS THAT MOVE THE WORLD

PO Box 580 Menomonee Falls, WI 53052
Phone (262) 502-0333 | hevihaul.com

PROPRIETARY AND CONFIDENTIAL, THE INFORMATION CONTAINED IN THIS DRAWING IS THE SOLE PROPERTY OF HEVI-HAUL. ANY REPRODUCTION IN PART OR AS A WHOLE WITHOUT THE WRITTEN PERMISSION OF HEVI-HAUL IS PROHIBITED.

DESCRIPTION: **PARTS BREAKDOWN**

SCALE: NTS DRAWN BY: DMK DATE: 4/15/2025 DWG NO: **BR-3** SHEET: 1 OF 1