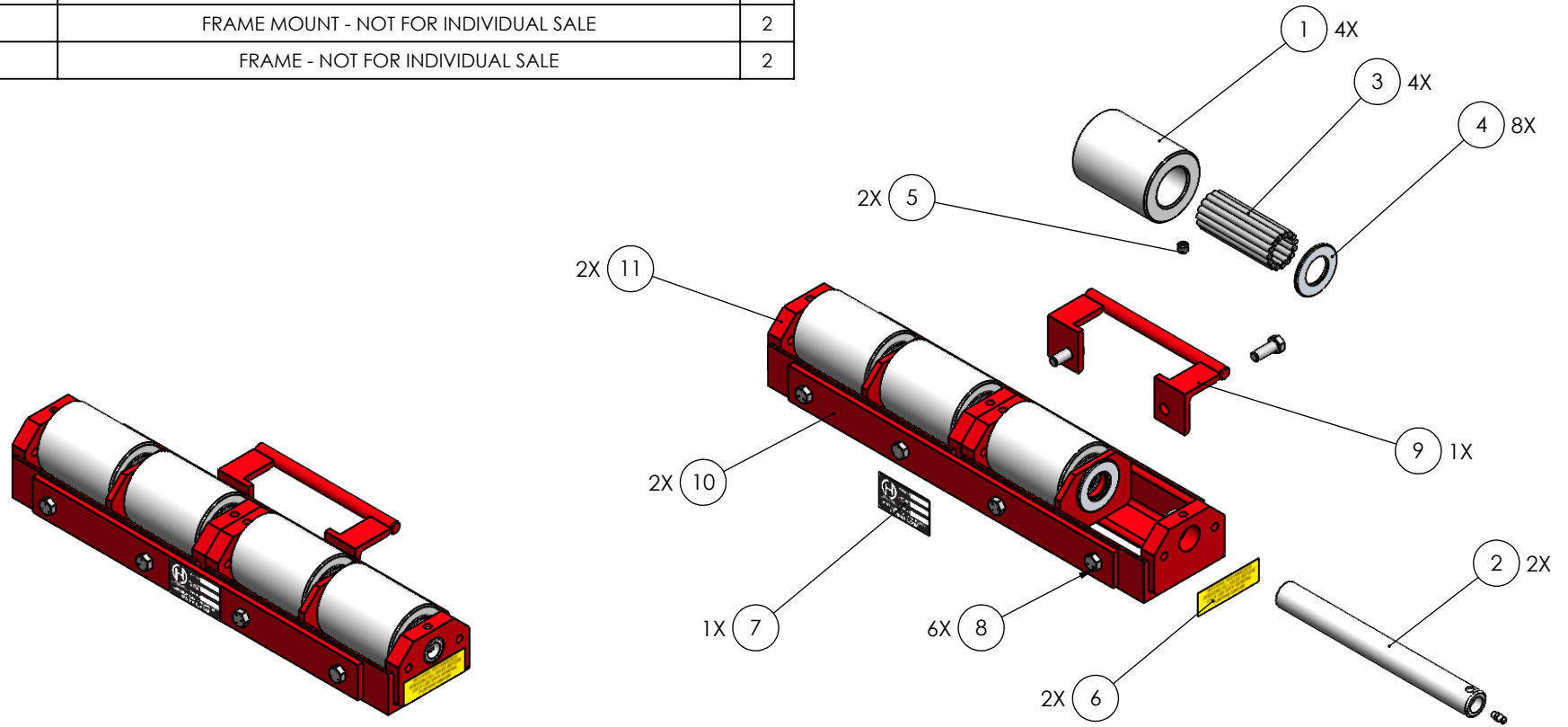


Item	Part Number	Description	Qty
1	SR00275	Ø2.75" STEEL ROLLER (BEARINGS NOT INCLUDED)	4
2	SA09375	9.375" L x 1.00 Ø STANDARD AXLE ASSEMBLY	2
3	H00SBS	BEARING SET, HARDENED 15 NEEDLE BEARINGS	4
4	H000SW	THRUST WASHER, Ø1" ID	8
5	H00CPS	SET SCREW, SOCKET, CONE POINT	2
6	SC052	GREASE DECAL, HEVI-HAUL, NOT FOR INDIVIDUAL SALE	2
7	SC053	ID TAG, HEVI-HAUL, NOT FOR INDIVIDUAL SALE	1
8	-	SCREW, HEX, NOT FOR INDIVIDUAL SALE	6
9	SC125	BR-4/BR-4 CAM HANDLE WELDMENT WITH HARDWARE	1
10	-	FRAME MOUNT - NOT FOR INDIVIDUAL SALE	2
11	-	FRAME - NOT FOR INDIVIDUAL SALE	2



PROPRIETARY AND CONFIDENTIAL, THE INFORMATION CONTAINED IN THIS DRAWING IS THE SOLE PROPERTY OF HEVI-HAUL. ANY REPRODUCTION IN PART OR AS A WHOLE WITHOUT THE WRITTEN PERMISSION OF HEVI-HAUL IS PROHIBITED.

DIMENSIONS ARE IN INCHES		DESCRIPTION:		REV:
THIRD ANGLE PROJECTION		<b>PARTS BREAKDOWN</b>		-
SCALE: NTS	DRAWN BY: DMK	DATE: 4/15/2025	DWG NO: <b>BR-4</b>	SHEET: 1 OF 1