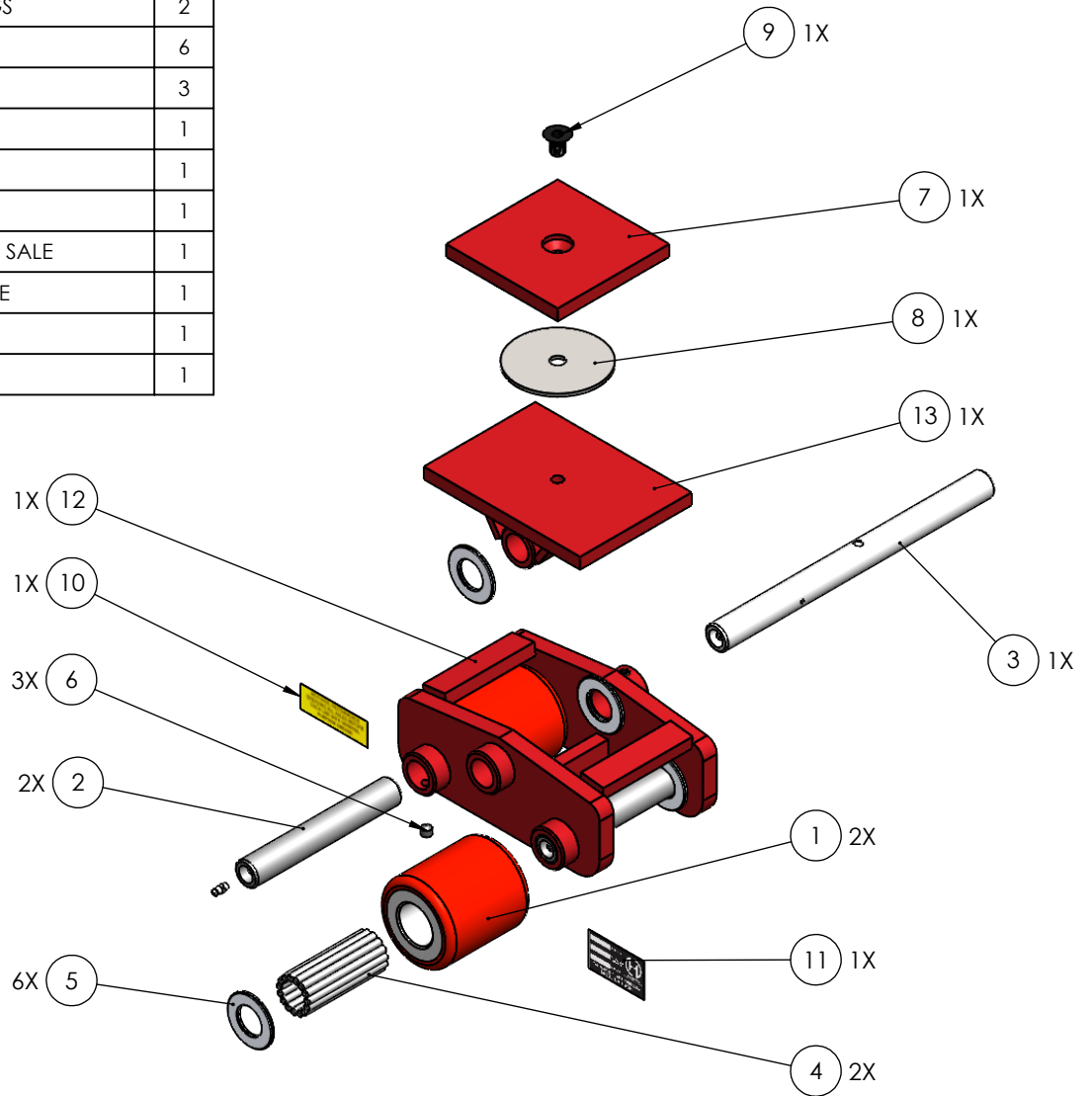
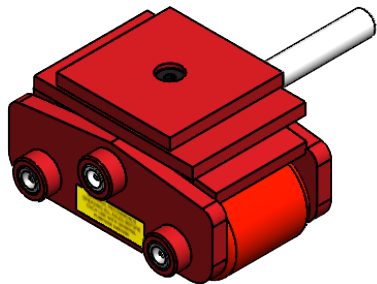


Item	Part Number	Description	Qty
1	PR00325	ROLLER, NON-MARKING, POLYURETHANE COATED, Ø3-1/4" (BEARINGS NOT INCLUDED)	2
2	HA00650	6.50" L X Ø1.00" HARDENED AXLE ASSEMBLY	2
3	PA01200	12.00" L X Ø1.00" STANDARD PIVOT AXLE ASSEMBLY	1
4	H00SBS	BEARING SET, HARDENED 15 NEEDLE BEARINGS	2
5	H000SW	THRUST WASHER, Ø1" ID	6
6	H00CPS	SET SCREW, SOCKET, CONE POINT	3
7	H00MSP	MEDIUM SWIVEL PLATE	1
8	H00SFP	SMALL FRICTION PLATE	1
9	HFCS00075	FLAT HEAD SOCKET CAP SCREW - 3/4"	1
10	SC052	GREASE DECAL, HEVI-HAUL, NOT FOR INDIVIDUAL SALE	1
11	SC053	ID TAG, HEVI-HAUL, NOT FOR INDIVIDUAL SALE	1
12	-	FRAME - NOT FOR INDIVIDUAL SALE	1
13	-	PIVOT PLATE - NOT FOR INDIVIDUAL SALE	1



PO Box 580 Menomonee Falls, WI 53052  
Phone (262) 502-0333 | hevihaul.com

PROPRIETARY AND CONFIDENTIAL, THE INFORMATION CONTAINED IN THIS DRAWING IS THE SOLE PROPERTY OF HEVI-HAUL. ANY REPRODUCTION IN PART OR AS A WHOLE WITHOUT THE WRITTEN PERMISSION OF HEVI-HAUL IS PROHIBITED.

DIMENSIONS ARE IN INCHES		DESCRIPTION:		REV:
THIRD ANGLE PROJECTION		<b>PARTS BREAKDOWN</b>		-
SCALE: NTS	DRAWN BY: DMK	DATE: 4/15/2025	DWG NO: CS-25-P	SHEET: 1 OF 1