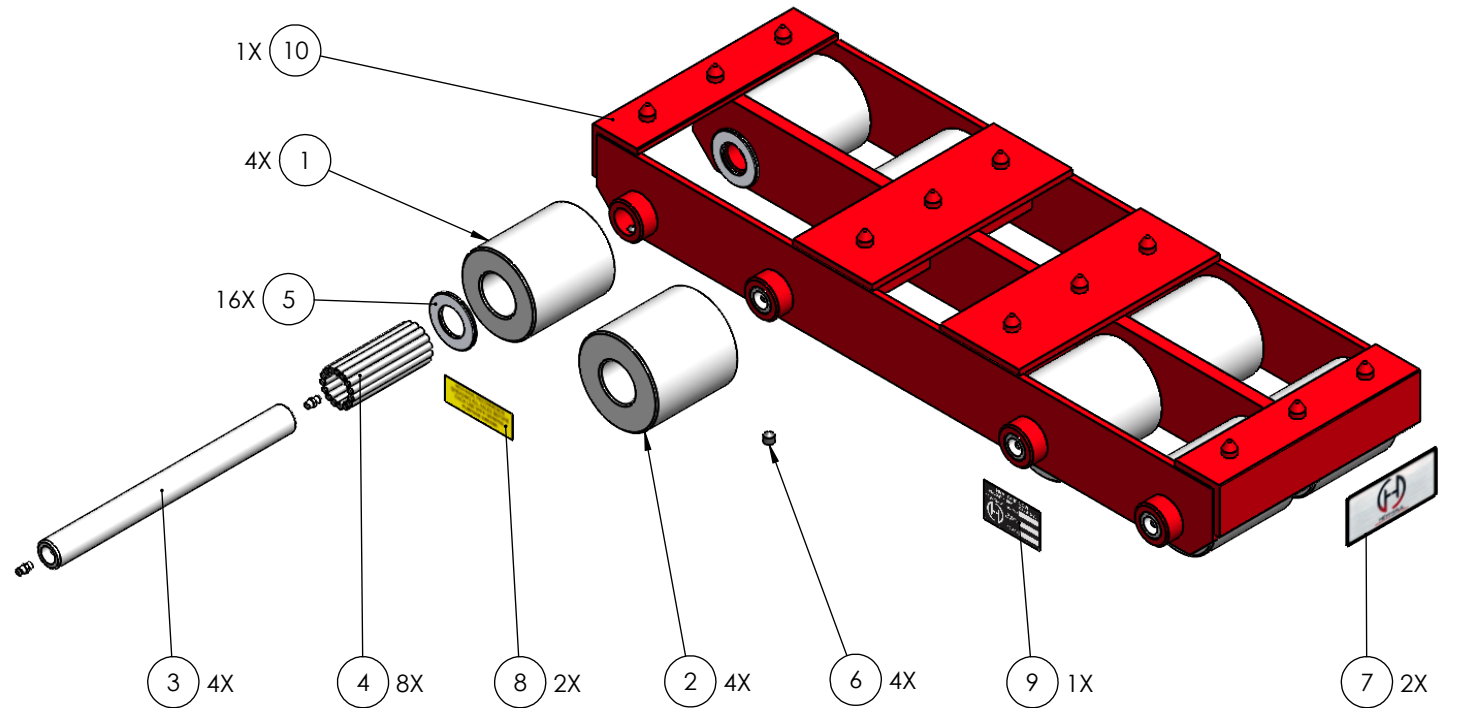
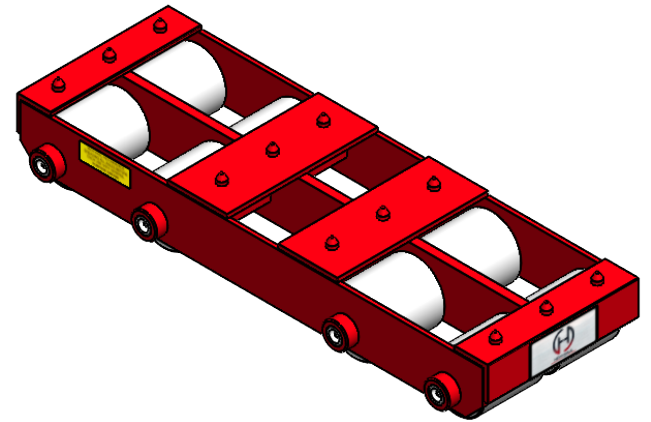


Item	Part Number	Description	Qty
1	SR00325	STEEL ROLLER, Ø3.25" OD x 3.625" L (BEARINGS NOT INCLUDED)	4
2	SR00350	STEEL ROLLER, Ø3.50" OD x 3.625" L (BEARINGS NOT INCLUDED)	4
3	SA01050	10.50" L X Ø1.00" STANDARD AXLE ASSEMBLY	4
4	H00SBS	BEARING SET, HARDENED 15 NEEDLE BEARINGS	8
5	H00SW	THRUST WASHER, Ø1" ID	16
6	H00CPS	SET SCREW, SOCKET, CONE POINT	4
7	SC051	LOGO DECAL, HEVI-HAUL, NOT FOR INDIVIDUAL SALE	2
8	SC052	GREASE DECAL, HEVI-HAUL, NOT FOR INDIVIDUAL SALE	2
9	SC053	ID TAG, HEVI-HAUL, NOT FOR INDIVIDUAL SALE	1
10	-	FRAME - NOT FOR INDIVIDUAL SALE	1



PROPRIETARY AND CONFIDENTIAL, THE INFORMATION CONTAINED IN THIS DRAWING IS THE SOLE PROPERTY OF HEVI-HAUL. ANY REPRODUCTION IN PART OR AS A WHOLE WITHOUT THE WRITTEN PERMISSION OF HEVI-HAUL IS PROHIBITED.

DIMENSIONS ARE IN INCHES THIRD ANGLE PROJECTION		DESCRIPTION: PARTS BREAKDOWN		REV: -
SCALE: NTS	DRAWN BY: DMK	DATE: 4/15/2025	DWG NO: HD-15	SHEET: 1 OF 1