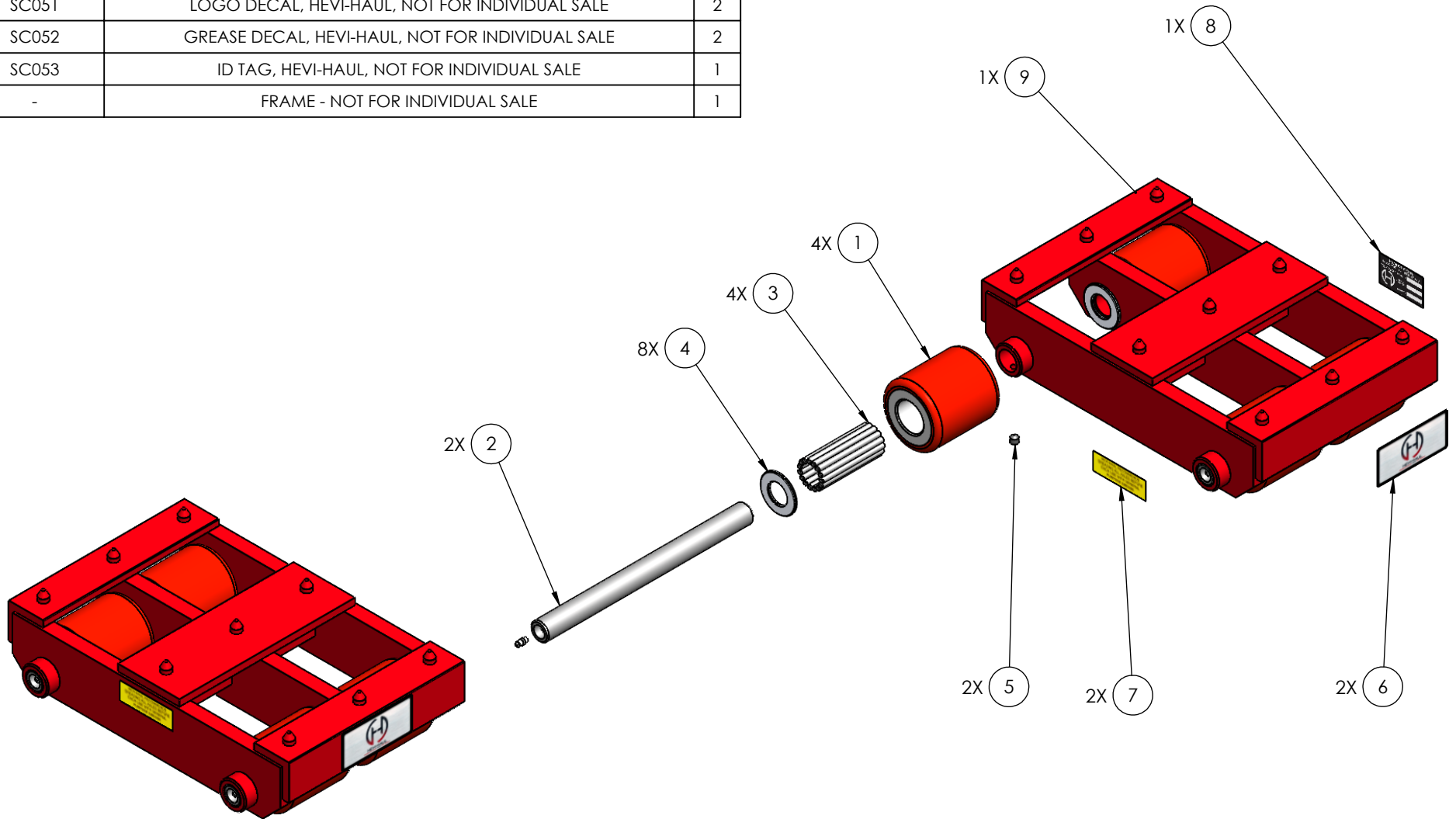


| Item | Part Number | Description | Qty |
|------|-------------|---------------------------------------------------------------------------|-----|
| 1 | PR00325 | ROLLER, NON-MARKING, POLYURETHANE COATED, Ø3-1/4" (BEARINGS NOT INCLUDED) | 4 |
| 2 | HA01175 | 11.75" L X Ø1.00" HARDENED AXLE ASSEMBLY | 2 |
| 3 | H00SBS | BEARING SET, HARDENED 15 NEEDLE BEARINGS | 4 |
| 4 | H000SW | THRUST WASHER, Ø1" ID | 8 |
| 5 | H00CPS | SET SCREW, SOCKET, CONE POINT | 2 |
| 6 | SC051 | LOGO DECAL, HEVI-HAUL, NOT FOR INDIVIDUAL SALE | 2 |
| 7 | SC052 | GREASE DECAL, HEVI-HAUL, NOT FOR INDIVIDUAL SALE | 2 |
| 8 | SC053 | ID TAG, HEVI-HAUL, NOT FOR INDIVIDUAL SALE | 1 |
| 9 | - | FRAME - NOT FOR INDIVIDUAL SALE | 1 |



PROPRIETARY AND CONFIDENTIAL, THE INFORMATION CONTAINED IN THIS DRAWING IS THE SOLE PROPERTY OF HEVI-HAUL. ANY REPRODUCTION IN PART OR AS A WHOLE WITHOUT THE WRITTEN PERMISSION OF HEVI-HAUL IS PROHIBITED.

| | | | | |
|--------------------------|-----------|------------------------|------------------|--------|
| DIMENSIONS ARE IN INCHES | | DESCRIPTION: | | REV: |
| THIRD ANGLE PROJECTION | | PARTS BREAKDOWN | | - |
| SCALE: | DRAWN BY: | DATE: | DWG NO: | SHEET: |
| NTS | DMK | 4/15/2025 | ST-1040-P | 1 OF 1 |