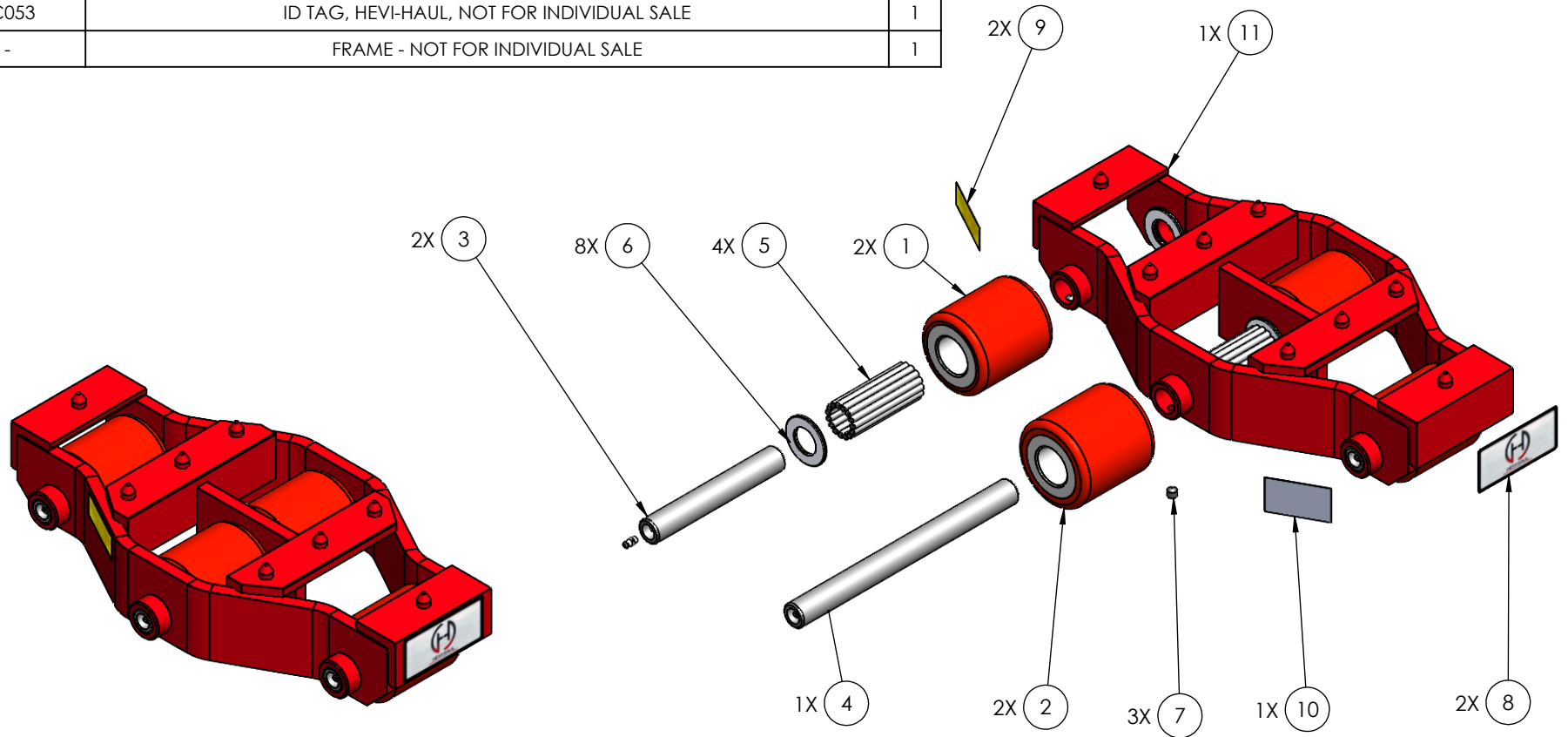


Item	Part Number	Description	Qty
1	PR00325	ROLLER, NON-MARKING, POLYURETHANE COATED, Ø3-1/4" (BEARINGS NOT INCLUDED)	2
2	PR00350	ROLLER, NON-MARKING, POLYURETHANE COATED, Ø3-1/2" (BEARINGS NOT INCLUDED)	2
3	HA00650	6.50" L X Ø1.00" HARDENED AXLE ASSEMBLY	2
4	HA01100	11.00" L X Ø1.00" HARDENED AXLE ASSEMBLY	1
5	H00SBS	BEARING SET, HARDENED 15 NEEDLE BEARINGS	4
6	H000SW	THRUST WASHER, Ø1" ID	8
7	H00CPS	SET SCREW, SOCKET, CONE POINT	3
8	SC051	LOGO DECAL, HEVI-HAUL, NOT FOR INDIVIDUAL SALE	2
9	SC052	GREASE DECAL, HEVI-HAUL, NOT FOR INDIVIDUAL SALE	2
10	SC053	ID TAG, HEVI-HAUL, NOT FOR INDIVIDUAL SALE	1
11	-	FRAME - NOT FOR INDIVIDUAL SALE	1



PROPRIETARY AND CONFIDENTIAL, THE INFORMATION CONTAINED IN THIS DRAWING IS THE SOLE PROPERTY OF HEVI-HAUL. ANY REPRODUCTION IN PART OR AS A WHOLE WITHOUT THE WRITTEN PERMISSION OF HEVI-HAUL IS PROHIBITED.

DIMENSIONS ARE IN INCHES		DESCRIPTION:		REV:
THIRD ANGLE PROJECTION		PARTS BREAKDOWN		-
SCALE: NTS	DRAWN BY: DMK	DATE: 4/15/2025	DWG NO: UM-HD-30-P	SHEET: 1 OF 1