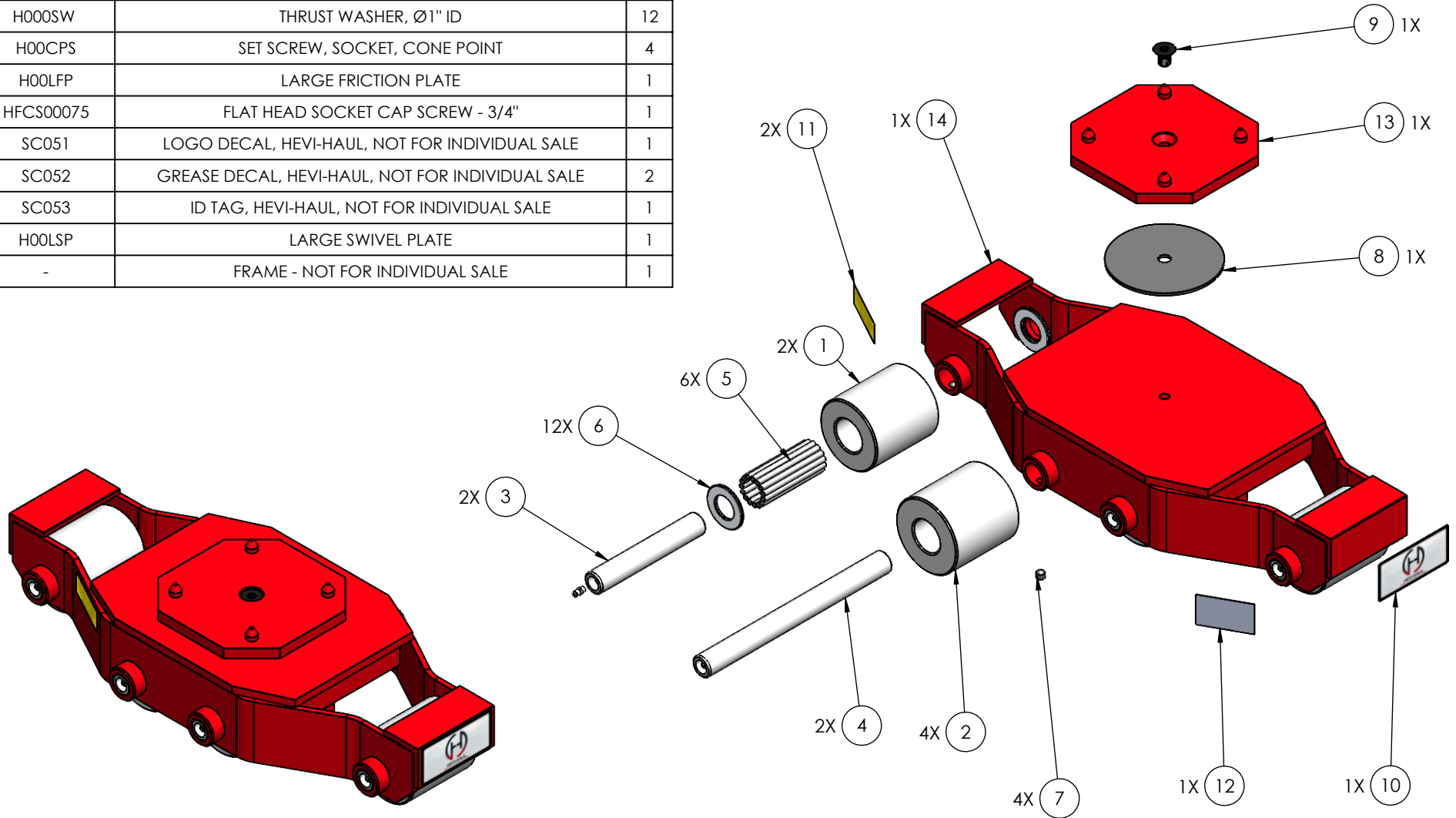


Item	Part Number	Description	Qty
1	SR00325	STEEL ROLLER, Ø3.25" OD x 3.625" L (BEARINGS NOT INCLUDED)	2
2	SR00350	STEEL ROLLER, Ø3.50" OD x 3.625" L (BEARINGS NOT INCLUDED)	4
3	SA00600	6.00" L x Ø1.00" STANDARD AXLE ASSEMBLY	2
4	SA01050	10.50" L X Ø1.00" STANDARD AXLE ASSEMBLY	2
5	H00SBS	BEARING SET, HARDENED 15 NEEDLE BEARINGS	6
6	H000SW	THRUST WASHER, Ø1" ID	12
7	H00CPS	SET SCREW, SOCKET, CONE POINT	4
8	H00LFP	LARGE FRICTION PLATE	1
9	HFCS00075	FLAT HEAD SOCKET CAP SCREW - 3/4"	1
10	SC051	LOGO DECAL, HEVI-HAUL, NOT FOR INDIVIDUAL SALE	1
11	SC052	GREASE DECAL, HEVI-HAUL, NOT FOR INDIVIDUAL SALE	2
12	SC053	ID TAG, HEVI-HAUL, NOT FOR INDIVIDUAL SALE	1
13	H00LSP	LARGE SWIVEL PLATE	1
14	-	FRAME - NOT FOR INDIVIDUAL SALE	1



PO Box 580 Menomonee Falls, WI 53052
Phone (262) 502-0333 | hevihaul.com

PROPRIETARY AND CONFIDENTIAL, THE INFORMATION CONTAINED IN THIS DRAWING IS THE SOLE PROPERTY OF HEVI-HAUL. ANY REPRODUCTION IN PART OR AS A WHOLE WITHOUT THE WRITTEN PERMISSION OF HEVI-HAUL IS PROHIBITED.

DIMENSIONS ARE IN INCHES		DESCRIPTION:		REV:
THIRD ANGLE PROJECTION		PARTS BREAKDOWN		-
SCALE:	DRAWN BY:	DATE:	DWG NO:	SHEET:
NTS	DMK	4/16/2025	UMS-HD-15	1 OF 1