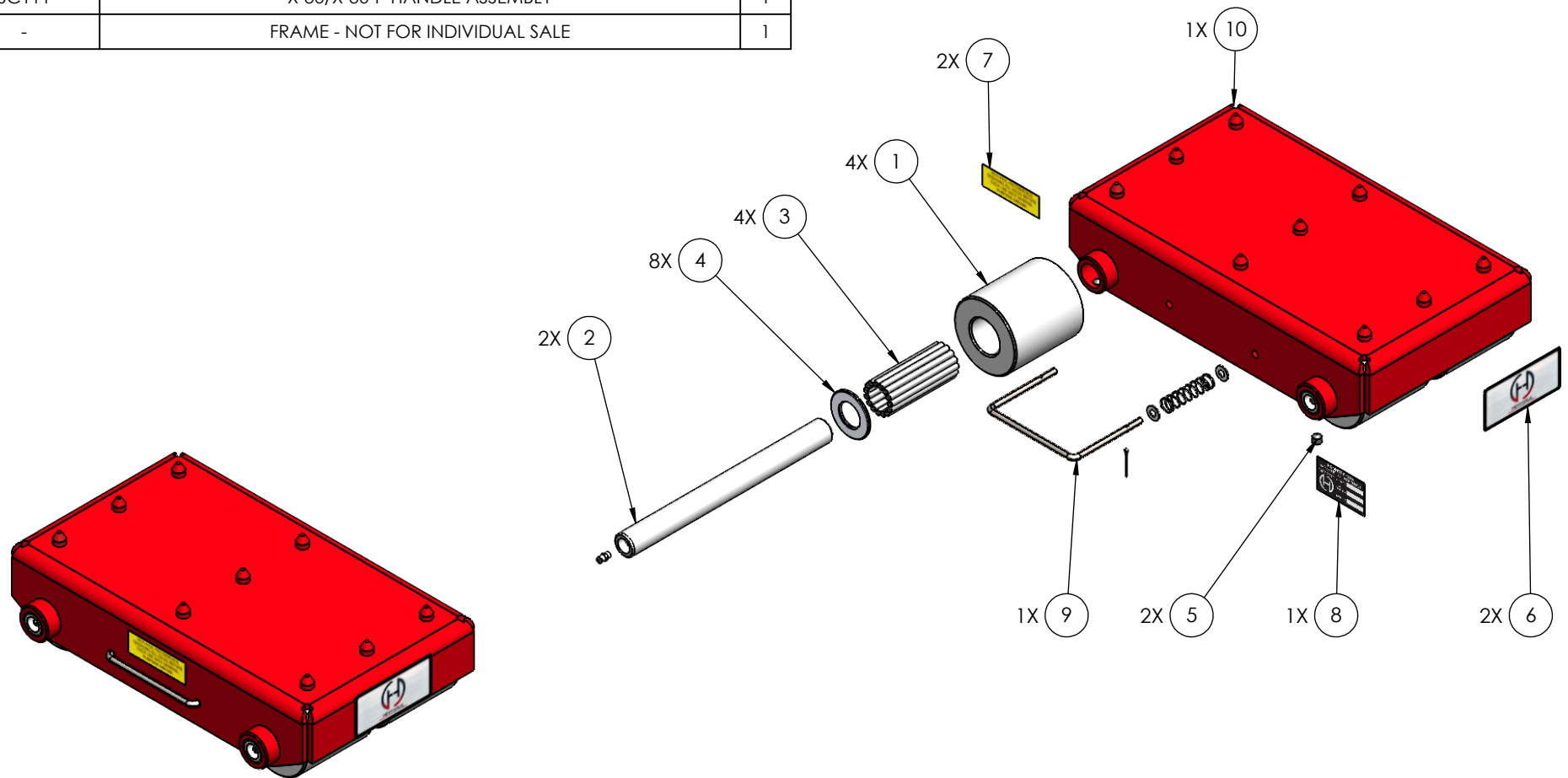


Item	Part Number	Description	Qty
1	SR00325	STEEL ROLLER, Ø3.25" OD x 3.625" L (BEARINGS NOT INCLUDED)	4
2	SA01050	10.50" L X Ø1.00" STANDARD AXLE ASSEMBLY	2
3	H00SBS	BEARING SET, HARDENED 15 NEEDLE BEARINGS	4
4	H000SW	THRUST WASHER, Ø1" ID	8
5	H00CPS	SET SCREW, SOCKET, CONE POINT	2
6	SC051	LOGO DECAL, HEVI-HAUL, NOT FOR INDIVIDUAL SALE	2
7	SC052	GREASE DECAL, HEVI-HAUL, NOT FOR INDIVIDUAL SALE	2
8	SC053	ID TAG, HEVI-HAUL, NOT FOR INDIVIDUAL SALE	1
9	SC111	X-30/X-30-P HANDLE ASSEMBLY	1
10	-	FRAME - NOT FOR INDIVIDUAL SALE	1



PROPRIETARY AND CONFIDENTIAL, THE INFORMATION CONTAINED IN THIS DRAWING IS THE SOLE PROPERTY OF HEVI-HAUL. ANY REPRODUCTION IN PART OR AS A WHOLE WITHOUT THE WRITTEN PERMISSION OF HEVI-HAUL IS PROHIBITED.

DIMENSIONS ARE IN INCHES		DESCRIPTION:		REV:
THIRD ANGLE PROJECTION		PARTS BREAKDOWN		-
SCALE:	DRAWN BY:	DATE:	DWG NO:	SHEET:
NTS	DMK	4/15/2025	X-30	1 OF 1